

### Peak Emission Wavelength: 660nm

The MTE6066C5-UR consists of a 660nm high output visible die in a wafer-clear 5mm plastic molded flat top package. Custom package solutions and sorting are available.

#### FEATURES

- > High Luminous Intensity
- > High Output Power
- > Compact
- > High Reliability

#### APPLICATIONS

- > Optical Sensor
- > Indicators
- > Optical Switches



### Absolute Maximum Ratings (Ta=25°C)

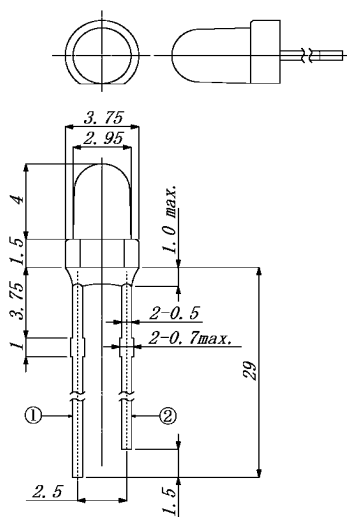


ITEMS	SYMBOL	RATINGS	UNIT
Forward Current (DC)	IF	50	mA
Forward Current (Pulse)*1	IFP	0.5	A
Reverse Voltage	VR	5	V
Power Dissipation	PD	110	mW
Operating Temperature Range	Topr	-20 ~ +80	°C
Storage Temperature Range	Tstg	-30 ~ +100	°C
Junction Temperature	Tj	100	°C
Lead Soldering Temperature*2	Tls	260	°C

\*1: Tw=10μsec, T=10msec. \*2: Time 5 Sec max, Position: Up to 3mm from the body.

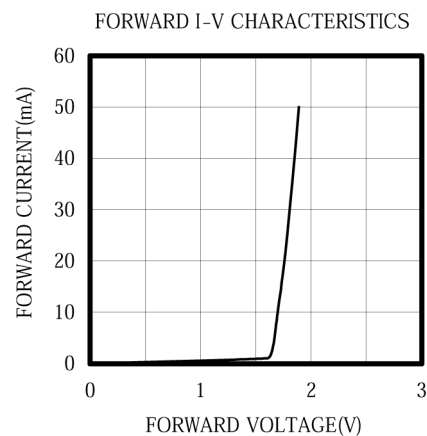
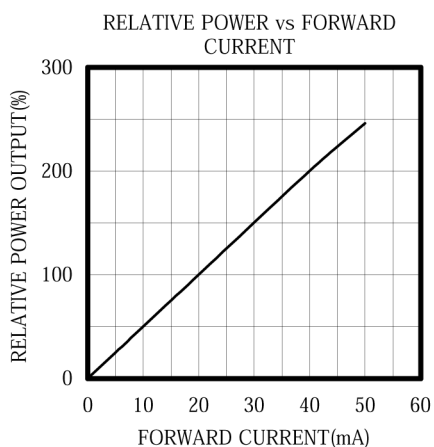
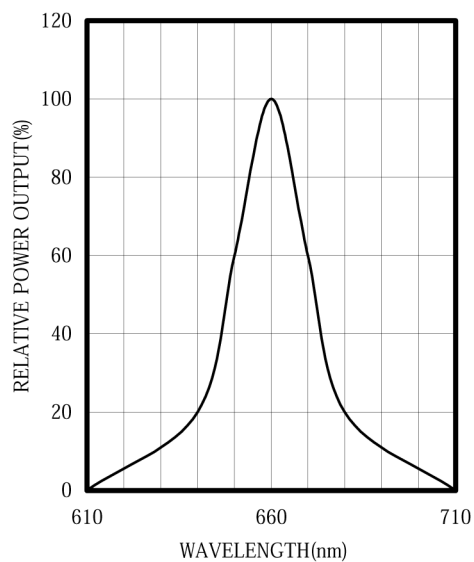
### Electrical & Optical Characteristics (Ta = 25°C)

ITEMS	SYMBOL	CONDITIONS	MIN	TYP	MAX	UNIT
Power Output	PO	IF=20mA	--	5.5	--	mW
Forward Voltage	VF	IF=20mA	--	1.8	2.2	V
Reverse Current	IR	VR=5V	--	--	100	μA
Peak Emission Wavelength	λp	IF=20mA	--	660	--	nm
Spectral Line Half Width	Δλ	IF=20mA	--	25	--	nm
Half Intensity Beam Angle	Θ	IF=20mA	--	±14	--	deg
Luminous Intensity	IV	IF=20mA	--	300	--	mcd



① Anode      ② Cathode  
Dimensions (Unit:mm)

SPECTRAL OUTPUT



Unit: mm, Tolerance: ±0.2

